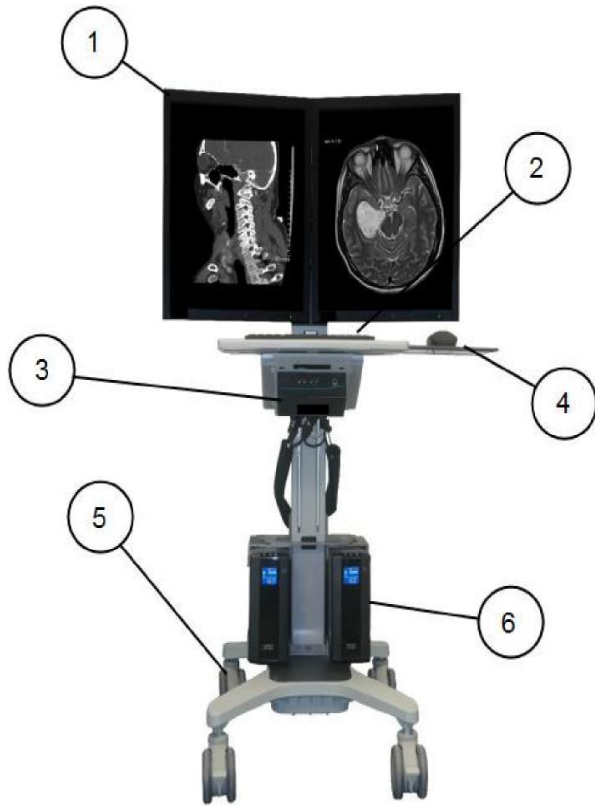
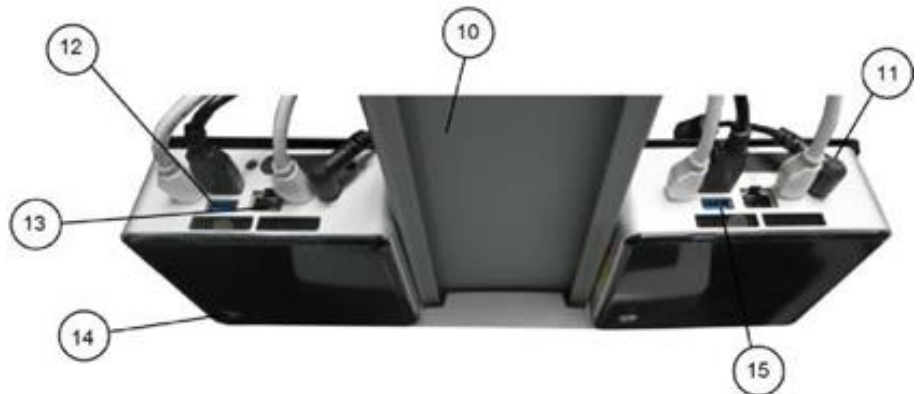
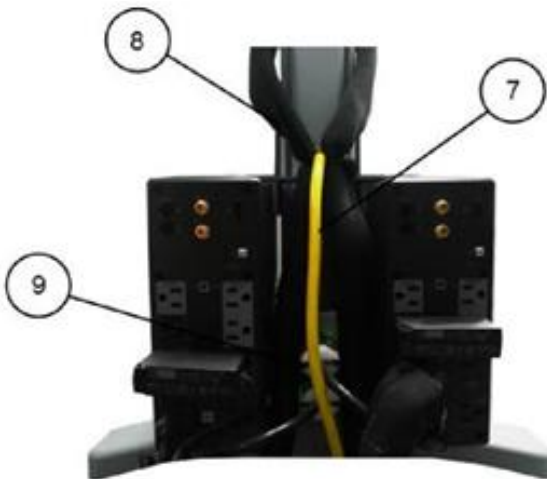




## PACStation Mobile Workstation



1. Dual Clinical/Diagnostic Screens
2. Antimicrobial Washable Keyboard
3. Video Management Unit (Dual System Only)
4. Antimicrobial Washable Mouse
5. Adjustable Locking Wheels
6. Dual 8-hour battery backup units.
7. Primary power cord
8. Power harness
9. Battery outlet bank
10. One-touch height adjustment bar
11. 9 volt power adapter
12. USB 3 Adapter
13. 1 GB Network Port
14. Power Button
15. USB 3 Adapter



Note: Shown configuration may be different from your product.



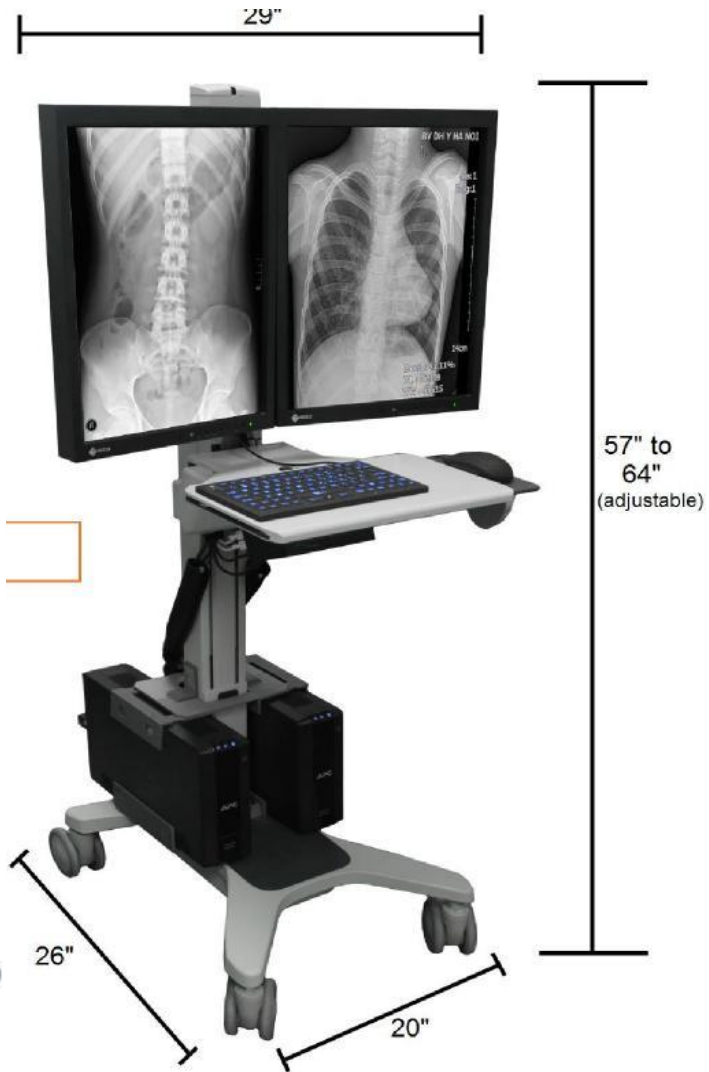
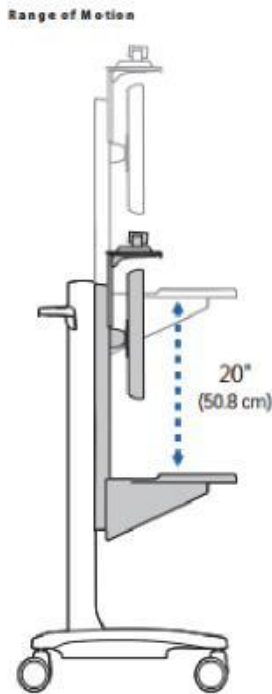
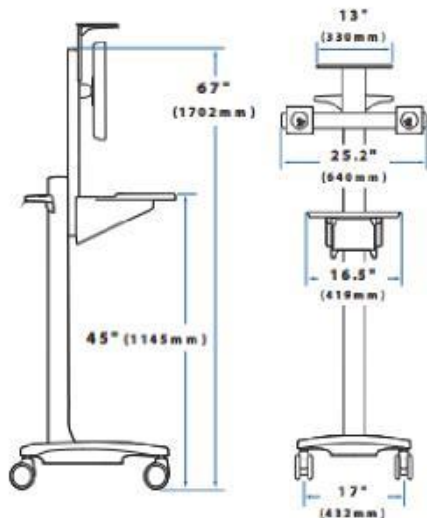
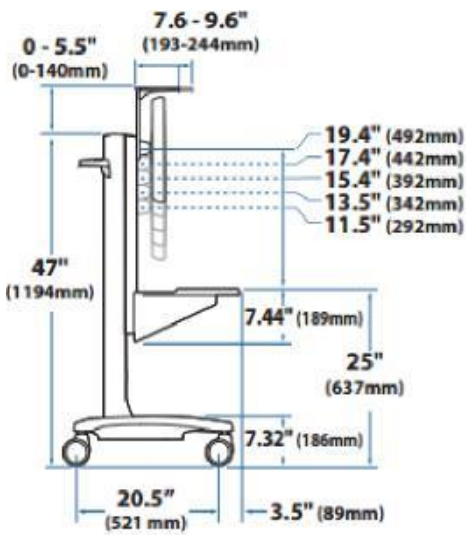
## Product Information

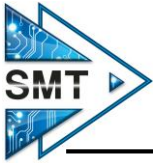
### PACStation Mobile Single Site Workstation

Form Factor	Mobile Single or Dual System
Color	Grey/White
Available Operating System	Genuine Windows® 7 Professional 64-bit
Processor	Intel® Core™ i5-5300U Processor (3M Cache, up to 2.90 GHz)
Memory	16GB DDR3L-1333/1600 1.35V SO-DIMM
Storage	Samsung 850 PRO Series - 256GB M.2 Internal SSD
Graphics Card	Intel HD Graphics
Optical Drive	Optional USB optical Drive
External Ports	2 USB 3.0 2 Combo Headset 2 Microphone
Internal Ports	1 x SATA Express port compatible with 2 x SATA 6.0 Gb/s ports 8 x SATA 6Gb/s port(s) Support Raid 0, 1, 5, 10
Expansion Slots	<b>Not Available</b>
Weight	162.91lbs



### Product Dimensions





## Included Peripherals

AntiMicrobial Mouse & Keyboard

2x APC Battery Backup

Nuance PowerMic 2

Windows 7 Pro SP1 Genuine Disc (2 for dual systems)

## Support Information

**For more information on support/warranty, please consult your SMT Service Level Agreement.**

For product troubleshooting, initial setup, hardware support, or other product support within the scope of your Service Level Agreement with Singular Medical Technologies, please use the following avenues for contact:

[support@singmedtech.com](mailto:support@singmedtech.com)